

## EVO LITE INFORMATION

January 8th, 2021

We noticed possible premature wear on the lumbar comfort adjustment of the EVOLITE harnesses.

Our EVO XC3 harnesses have the same adjustment system and we recommend that you follow the same instructions below.

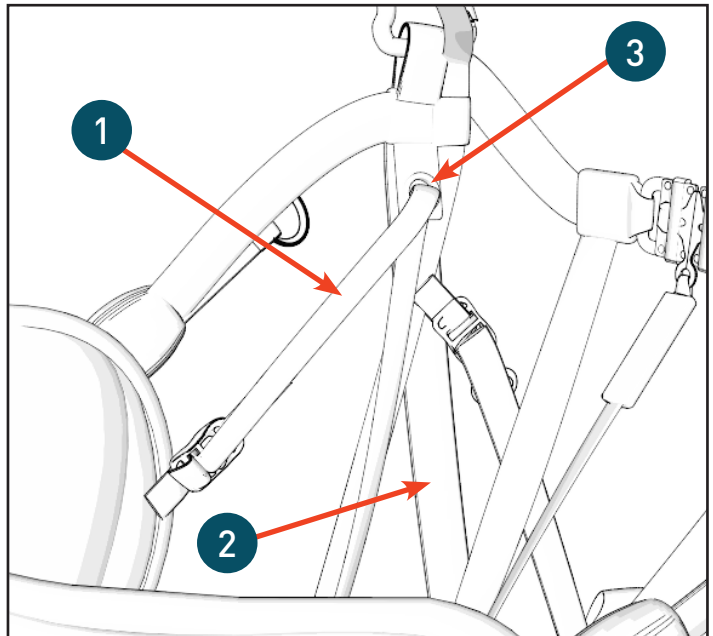
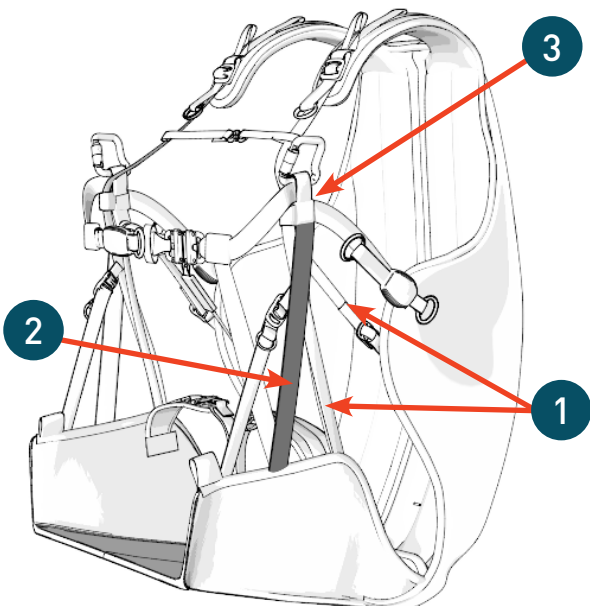
The structural strength of the harness is not affected by this event.

**Harnesses concerned:** EVOLITE index A1 to A9

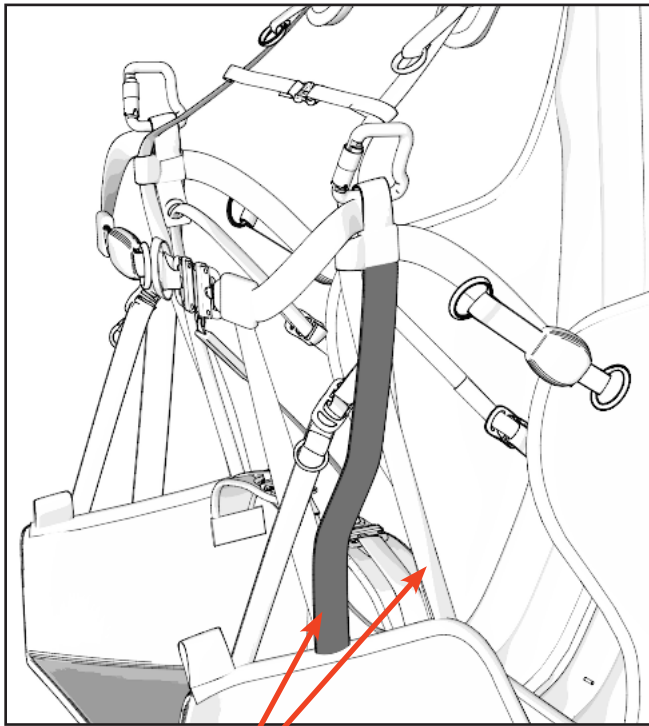
The eyelet that serves as a deflection point for the lumbar comfort/seat depth adjustment can damage the strap. This is mainly due to a very tight adjustment that takes up all of the pilot's weight on this adjustment strap.

We recommend that you take care to adjust the seat depth within the limit of keeping the main strap under tension.

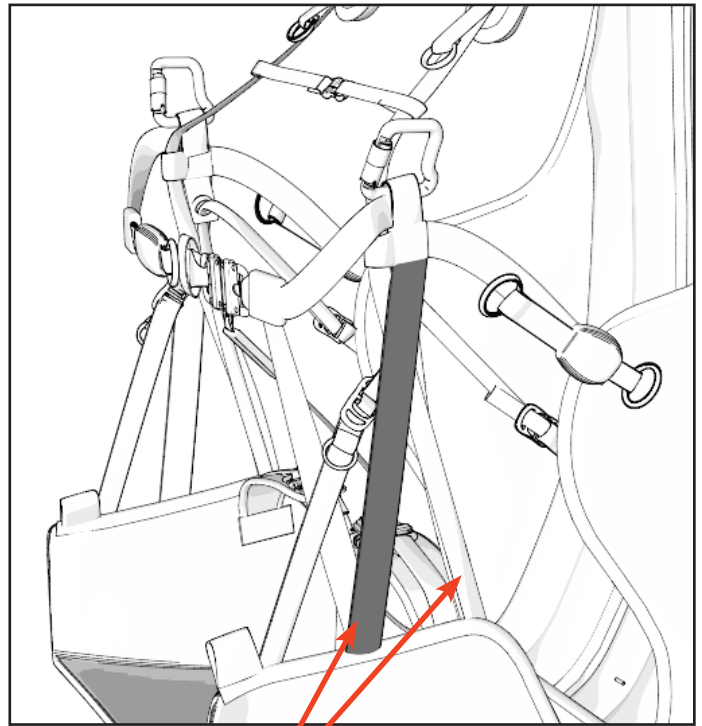
The main strap should be under tension even after adjusting the setting.



- 1 Lumbar comfort adjustment strap
- 2 Main strap
- 3 Eyelet



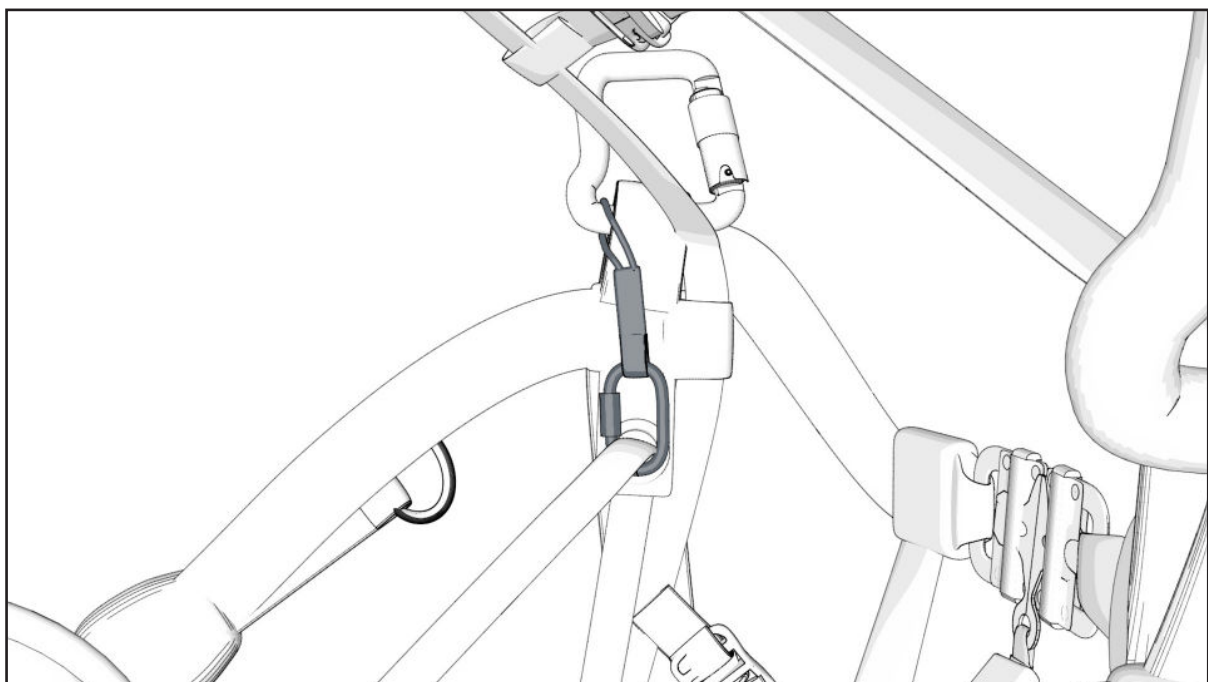
**Main strap without tension and lumbar comfort adjustment strap under tension**



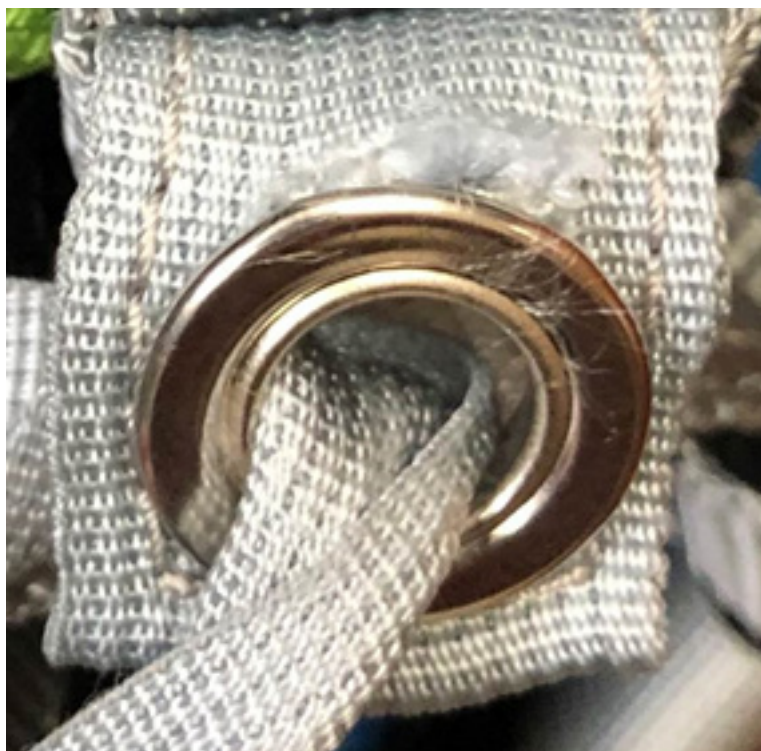
**Main strap under tension and lumbar comfort adjustment strap under tension**



For pilots who notice a weakness in the eyelet's hold, we propose to send you a reinforcement kit to be fixed on the links.



## STRAP NOT REQUIRING A REINFORCEMENT KIT



## STRAP REQUIRING A REINFORCEMENT KIT



We are committed to the quality of our products and do our utmost to satisfy the pilots of this - moreover - excellent progress harness.